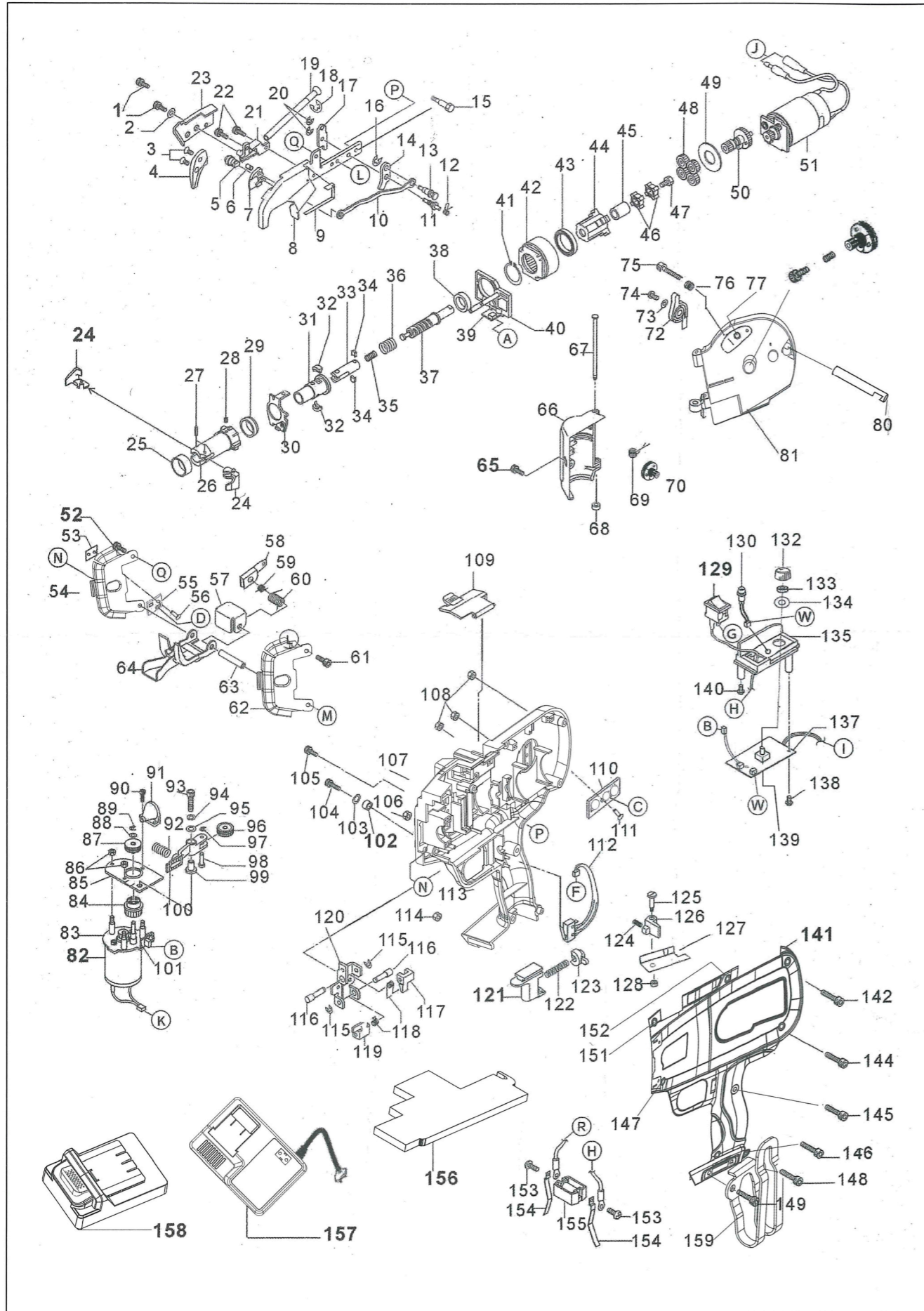


ATA 450 /580



NO.	Name	NO.	Name	NO.	Name
1	bolt 3x5mm	53	fixed-switch n ut-board	106	nut m3
2	washer 3x8x1.5mm	54	cover L unit	107	frame L assy
3	hex head screw 3x8mm	55	fixed switch	108	nut m3
4	wire guide	56	panhead screw 2x10mm	109	window
5	fixed cutter	57	curl guide cover	110	spool sensor
6	pin	58	fixed-switch pole	111	panhead screw 2x6mm
7	cutter	59	fixed-pole spring	112	trigger switch
8	arm A unit	60	spring	113	nut m3
9	leaf spring	61	bolt 3x6mm	114	nut m3
10	connecting rod	62	cover R unit	115	ring Φ3
11	shaft	63	stopper shaft	116	step pin
12	spring	64	curl guide	117	jaw A
13	pin	65	bolt 3x10mm	118	torsion spring
14	cutter lever	66	mother cover A assy	119	jaw B
15	arm fixing screw	67	step pin	120	jaw base
16	ring Φ3.5	68	rubber washer	121	trigger
17	cutter lever B	69	torsion spring	122	compression spring
18	ring Φ4	70	coil wire locating device	123	trigger lock
19	pipe	71	torsion spring	124	compression spring
20	ring Φ2	72	reel stopper	125	step pin
21	wire guide B	73	washer 3x8x1.5mm	126	release stopper
22	bolt 3x6mm	74	panhead screw 3x8mm	127	release stopper board
23	arm B	75	bolt 3x6mm	128	nut m3
24	hook	76	reel friction adjust screw	129	main switch unit
25	sleeve guide	77	reel friction gear	130	LED unit
26	sleeve B	78, 79	panhead screw 3x8mm	131, 132	wire length torque dial
27	ws pin 2.5x10mm	80	joint/reel magazine	133	panhead screw 2x4mm
28	screw 3x3mm	81	reel stay	134	torque spring
29	cutter ring guide	82	motor	135	label, torque dial
30	cutter ring assy	83	motor plate	136, 137	sub PWB unit
31	sleeve A	84	feeding gear assy	138	panhead screw 3x8mm
32	key	85	partition plate	139	wire length potentiometer
33	tip axis B	86	nut m3	140	panhead screw 3x8mm
34	key B	87	feeding gear B1	141	frame R assy
35	comp-spring	88	washer 3x7xO.8mm	142	bolt 3x14mm
36	comp-spring	89	ring Φ2	143	bolt 3x14mm
37	tip axis A	90	bolt 3x6mm	144	bolt 3x14mm
38	bumper	91	wire guide C	145	bolt 3x10mm
39	reset-sensor board	92	comp. spring	146	bolt 3x14mm
40	tip axis guide assy	93	bolt 4x16mm	147	bolt 3x14mm
41	ring Φ18	94	spring washer Φ4	148	bolt 4x8mm
42	internal gear	95	washer 4x8xO.8mm	149	bolt 4x8mm
43	wheel 20x27x4mm	96	feeding gear B2	150	bolt 3x14mm
44	planet gauge unit	97	ring Φ2	151	washer 3x6xO.8mm
45	pin	98	step pin	152	pin
46	key plate	99	hollow pin	153	panhead screw 3x8mm
47	bolt 4x6mm	100	release lever	154	electrode plate
48	planet gear	101	feeding-sensor board	155	electrode block
49	gear press wheel	102	bush forjaw	156	main PCB unit
50	sun gear unit	103	washer 3x6xO.8mm	157	battery charger
51	twist motor	104	bolt 3x10mm	158	battery
52	bolt 3x6mm	105	bolt 3x8mm	159	hook